

Levasseur



*The Association's data base has been updated on the [Web Site](#)
More than 120,000 genealogical recordings*

Trimestrial infos

Vol. 23 no 3 September 2011

Sherbrooke 2011

Results and photos of the last Levasseur Gathering.

Page 1

Sherbrooke 2011

The gathering in photos. Thanks to Ernest Levasseur.

Page 4

President Report

Roger reports on the Association's accomplishments during the past year

Page 5

William Joseph Levasseur

William Levasseur son of William Ryan Levasseur and Suzan Otto passed away at the age of 15.

Page 6

Statistics

Some statistics on the membership of the Association.

Page 8

A success on all fronts

by: Jean-Pierre Levasseur (250)



The temperature was ideal and the Levasseurs were there! This first gathering in the Eastern townships was very successful.

Levasseurs from New Brunswick, Ontario, various locations in Québec and from the North Eastern States met in the beautiful city of Sherbrooke. They socialized and exchanged information and memories about their families and where they lived.

The day began with welcoming remarks by our President, Roger Levasseur. He stressed the importance of these gatherings and how our ancestors would be proud to see many of us together, 400 years after they crossed the Atlantic.





Mr. Jacques Beaugrand, our guess speaker, informed us about recent discoveries tied to his DNA research and its application to family genealogy. He informed the participants about the family origins of the

In the afternoon, we participated in an [historical theatrical presentation](#) that allowed us to go back in time! In the company of Mary O'Malley, a colourful Irish girl, we met historical characters who left their mark in the development of the Eastern Townships. Gilbert Hyatt, a proud and valiant Loyalist, Géraldine Mollins the fiery wife of a settler, Grace Thompson, a seductive rich merchant from Lennox Ville and Andrew Paton, the owner and director of the largest wool mill in Canada.

Our data base on the Association's site is very user friendly. Gilles Carmel made a presentation that was much appreciated by all of us. He showed us how to use the various research functions, easily accessible and readily available on the Web Site.

All Levasseurs who are interested in organizing a gathering of Levasseurs in their region or local area are invited to contact the Association. Your board members will provide assistance and delegate representatives to carry out workshops and make presentations.

A great dinner was served and we enjoyed the pleasant music provided by a string quartet. There were also many door prizes

Levasseurs and from what countries they originated. Keep in mind that certain members of our Association participated in DNA tests to determine if our original ancestors were related. The results of his findings are published on our Web site.

A conference titled «A well connected Association» was made by Jean-Pierre, our Webmaster. A copy of his presentation is available for consultation on web site ([click on the attached link](#))



Huguette Levasseur spoke about the genealogical dictionaries produced by the Association. Her main emphasis was how to effectively carry out a research when referring to them. She also spoke about the continuous work Joceline, our genealogist, and Gilles Carmel do by reviewing and adding data to this gigantic data base.

awarded during the course of the evening

We thank and express our gratitude to Paul, Pierrette and the team who organized this memorable gathering in Sherbrooke this past August 20, 2011. It is only a "so long" until next time!



List of participants - Sherbrooke 2011

Roger Levasseur, Orléans, Ontario
Marie Levasseur, Orléans, Ontario
André Levasseur, Trois-Rivières, Québec
Irène G. Levasseur, Trois-Rivières, Québec
Joceline Levasseur, Québec, Québec
François Dupuis, Québec, Québec
Noëlla Levasseur, Sherbrooke, Québec
Roch Bédard, Sherbrooke, Québec
Gilles Carmel, St-Charles-Borromée, Québec
Nicole Durand, St-Charles-Borromée, Québec
Jacqueline Levasseur, Trois-Rivières, Québec
Jacques Milot, Trois-Rivières, Québec
Pierre Levasseur, Trois-Rivières, Québec
Hélène Bélanger, Trois-Rivières, Québec
Réjeanne Levasseur, Notre-Dame des Prairies, Québec
Pierre Courteau, Notre-Dame des Prairies, Québec
Helen Levasseur Liscinsky, Stratford, Connecticut
Alane Telep, Stratford, Connecticut
Bailey Telep, Stratford, Connecticut
Joseph Levasseur, Manchester, New Hampshire
Rachel L'Heureux, Manchester, New Hampshire
Jean-Marie Levasseur, Trois-Rivières, Québec
Ernest A. Levasseur, Boiling Spring, Pennsylvania
Shirley A. Levasseur, Boiling Spring, Pennsylvania
Pierre Levasseur, Pierreville, Québec
Lorraine D. Levasseur, Pierreville, Québec
Paul Levasseur, Sherbrooke, Québec
Pierrette Girardin, Sherbrooke, Québec
Margo Levasseur, St-Blaise, Québec
Louis Bolduc, St-Blaise, Québec
Dana R. Varin, Rutland, Vermont
Jennifer D. Varin, Rutland, Vermont
Jarod Varin, Rutland, Vermont
Françoise Levasseur, Trois-Rivières, Québec
Jean-Guy Parr, Trois-Rivières, Québec
Jean-Pierre Levasseur, Québec, Québec
Paule Truchon, Québec, Québec

The gathering in photos

Many thanks to Ernest Levasseur for these photos



Other photos on the following link: <http://gallery.me.com/ernestlevasseur#100477>

President's report

Transcription of the President's report at the Members annual meeting in Sherbrooke on August 20, 2011

Dear members of the Levasseur Association of America

It is with pleasure that I share with you the accomplishments of our Association during the year, 2011. My work as President of your Association is made easy and is a very pleasant task to carry out due to the work of the board members.

We have a genealogy association that is envied by other Associations. You have heard earlier today the accomplishments of our Web-Master, Jean-Pierre, our genealogist Joceline and Gilles Carmel our obituary researcher. Other accomplishments includes the work of André, editor of the Newsletter, that of Joseph our American ambassador, and the work of our translator Réjean, despite a health concern. There is also the work of our secretary Marie Noëlle and her patience to transcribe our deliberations. The Association is also grateful to our dedicated treasurer, Paul and for the work he did to organize this gathering in Sherbrooke. To this group I also want to recognize the work of Huguette who reviews and corrects all of our publications.



by: [Roger Levasseur](#) (004)

I want to thank you, members, for being members of the Association. Because of your participation, the Association is able to work towards the fulfilment of its goals and mission.

- Regroup and unite a large number of Levasseurs;
- Organize reunions and gatherings;
- Promote, develop and communicate our historical knowledge of the Levasseur families;
- Maintain and update the data base;
- Provide members a photo album for the ancestral photos;
- Honour the memories of our ancestors;
- Gather documents pertaining to the Association's heritage;

We rely on you our members to continue this work. You can help us by sending us old photos of your family and writing your family history. The Association would be pleased to add these photos on our site and publish your family history in future Newsletters. This is how you can contribute to the success of the Association. You will also be providing future generation knowledge about your family that will be added and safeguarded for future years on the Levasseur Association Web site. Those who follow us will appreciate your efforts to help preserve and maintain our heritage

William Joseph Levasseur



William Joseph Levasseur, avid snowboarder and well-known athlete in the Hereford Zone, freshman at Hereford High School, passed away on July 3, 2011 after being hospitalized at the Pediatric Oncology Unit and PICU of John's Hopkins Hospital for complications from brain cancer. Will was 15.

Will resided in the Prettyboy Watershed, in its eastern regions with his mother in Freeland and along its western headwaters with his father in Manchester. Will loved to hike the trails of the watershed and explore the abundant wildlife outside his back doors.

Most of all, Will was passionate about sports. In the wintertime, he could be found on the slopes and terrain parks of Roundtop, or anywhere else they were making and grooming snow. He particularly enjoyed the parks at Seven Springs. He and his brother, Nick, were planning to construct a terrain park somewhere in the Baltimore County area so that local snowboarding enthusiasts did not have to travel far to share their passion. It is Nick's intention to make that vision a reality in Will's memory.

Will played soccer for the Hereford High JV team, earning a reputation as a fierce defender of the goal and keeping many "clean sheets" with the help of his talented teammates. He was introduced to his travel teammates the previous year after earning a spot on the Hereford Travel Soccer team; it was then, in late 2009, that symptoms of the brain tumor first presented. Immediately, the Hereford sports community rallied around Will and his family with an incredible devotion. In late summer of 2010, his travel team enjoyed the distinction that every single player made the cuts for the JV High School team allowing them to continue playing as a cohesive group.

Will also played many seasons of baseball with the Prettyboy Rec Council where he distinguished himself as a quality pitcher and catcher, making many friends along the way. He also enjoyed playing tennis and was learning to play guitar.

Will continued to excel in sports, learned new snowboarding moves, practiced his guitar technique, and kept up with school work during the year-long chemotherapy regimen. His passion for all things outdoors and for all living creatures, his love of quiet and rowdy moments with family and friends, and his genuinely kind and perfectly compassionate nature remained strong throughout his entire life.

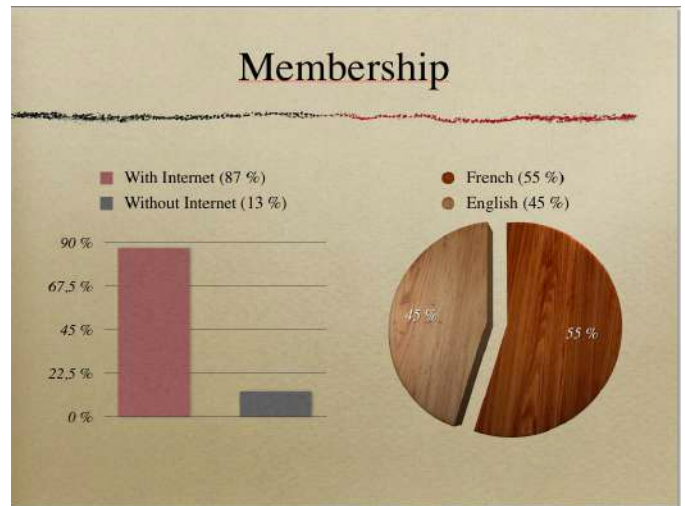
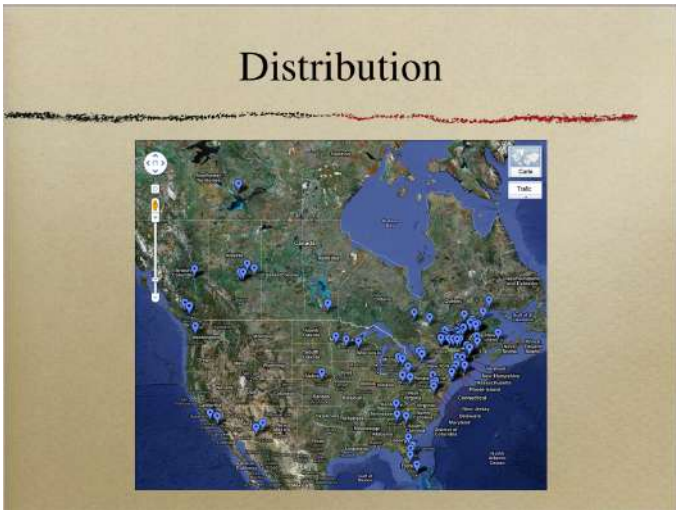
Will was extremely close to his family. Will was home-schooled with his siblings and local home-school community until entering high school. He worked hard and played with passion. He could operate farm tractors and chainsaws and woodworking equipment with proficiency. He loved to design and build things from terrain park features on the properties of his parents to cartoon characters that were unique and happy. Will lived fully in each moment and faced his death with courage and acceptance. One of his teammates remarked, "At least now there is a good goalie in heaven."

Surviving William are his parents Susan Gilbert (born Otto) and Bill Levasseur, Jr.; step father, Bob Gilbert; older siblings, Nick and Madelyn Levasseur; grandparents Lucy and Rollin Otto and Joanne and William Levasseur, Sr.; and aunts, uncles, cousins and friends.

Lineage of William Joseph Levasseur

Jean (Jehan) Levasseur	Bois-Guillaume, Normandie, France	Marguerite Maheu
Laurent Levasseur	Québec, QC 30-04-1670	Marie Marchand
Pierre Levasseur	Rivière-Ouelle, QC 08-05-1703	Élisabeth Michaud
Pierre Levasseur	Kamouraska, QC 07-11-1735	Geneviève Raymond/Phocas
Jean-Baptiste Levasseur	Kamouraska 22-08-1775	Madeleine Landry
Pierre Levasseur	Saint-Basile-le-Grand, NB 18-07-1803	Madeleine Consigny/Sanfaçon
Jean-Baptiste Levasseur	Saint-Basile-le-Grand, NB 12-11-1833	Suzanne Bourguin
Régis Levasseur	Van Buren, St. Bruno, ME 07-11-1916	Obéline Sirois/Duplessis
Édouard Levasseur	Caribou, ME 24-09-1888	Sophie Jacques
George E. Levasseur	Baltimore, MD 31-08-1931	Martha Gallegary
William Ryan Levasseur	Baltimore, MD 30-05-1958	Joanne Bowers
William Ryan Levasseur	Baltimore 15-06-1984	Susan Otto
William Joseph Levasseur		

Some statistics on the membership of the Association



Our younger member

Louis-Félix

- [Laurent Levasseur \(c\) 1668-1726](#)
- [Pierre Levasseur 1679-1728](#)
- [Denis Levasseur -1701](#)
- [Pierre Levasseur 1746-1809](#)
- [Michel Levasseur 1784-1848](#)
- [Octave Levasseur 1827-1894](#)
- [Alphonse Levasseur 1808-1946](#)
- [Joseph Levasseur 1866-1960](#)
- [Edgar Levasseur 1914-1983](#)
- [Jean-François Levasseur 1956](#)
- [François Levasseur 1986](#)
- [Louis-Félix Levasseur 2011](#)



Brief News

In the next Newsletter: Heidi Levasseur



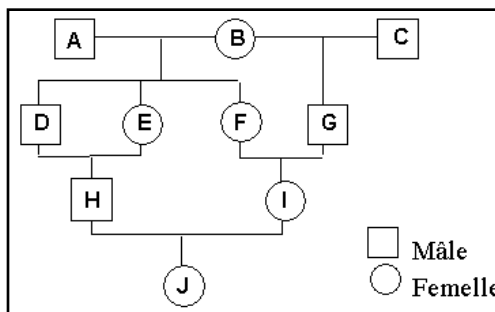
André Levasseur and his wife, Irene Garand recently met Heidi Levasseur. At the age of 15 she completed her first swim across the lake Memphrémagog thus being the youngest person to accomplish this feat. At the age of 16 she succeeds swimming in the International swimming classic « La Traversée du Lac St-Jean ». Due to injuries, in 1999 she decides to pursue studies in biochemistry and psychology. She also studied classical singing. Read our next Newsletter to learn more about this remarkable athlete

Archival storage of our Data



The Association's process of a computerized archival storage system for all its documents, whether in paper or in numerical format, is proceeding well. In 2008, a numbering process was initiated to store in a single area all written or electronic data that has been generated by the association in the past 20 years. To date, more than 6000 documents have been archived that represents 8 Go of information. This data is safeguarded on an external server in order to ensure the perpetuity of data gathered by the Association .

Relationship and consanguinity computing



We use [GeneWeb](#), a program which specializes in relationship and consanguinity computing.

The relationship between any two persons is calculated based on a common ancestor. It is possible that there may be several common ancestors, and for a given ancestor several connecting branches of different lengths. GeneWeb informs you who these ancestors are, and how many branches there are between the people. It lets you know what this relationship is : whether a brother, a sister, a great-aunt, or an ancestor who might be 15 generations distant, etc.

It is then possible to display the details of any of the of the relationship branches. The [consanguinity](#) (mathematical relationship) between any two persons is calculated from their relationship links. For example, between brothers and sisters, this number is 25%, which represents a close relationship. Between first cousins, this number is 6.25%. The different combinations of relationship links between any two people leads to complex computations, which would be practically impossible to make by hand! GeneWeb performs these calculations for you!!

News of the Association' annual meeting.

Each year members of the Association are sent an invitation to attend the Association's Annual meeting. Various subjects were discussed including reports tabled by members. Our genealogist, Joceline mentioned the progress accomplished during the year with the verification and the gathering of new genealogical data.

The data base has been updated on the Web site. More than 120,000 registrations are now available for the members.

Regarding the work done to have Dre Irma LeVasseur recognized for her numerous accomplishments and for her work with soldiers during the First World War, the Association has requested that Canada Post consider the issuance of a commemorative stamp in 2014 to coincide with the 100th anniversary of the 1st World War.

An election was held to fill vacant positions amongst the Board members. Pierre Levasseur presided over the election. A new director was elected to the Board, Father Jean-Marie Levasseur, a long standing member. Jean-Marie recently published his research project on the Levasseurs from Trois Rivières vicinity. It was published in the last issue of the Newsletter.



The Levasseur Association

The Association, Levasseur d'Amérique Inc. is a non-profit organization, founded in 1988, in accordance to a federal charter. Its goals are:

- ★ To join together and unite a large number of Levasseur and other descendants who have adopted the patronymic Borgia, Carmel, Carmell, Vasseur, Vassor, Vasser.
- ★ To organize meetings and gatherings that reinforce links between the members of the great Levasseur family.
- ★ To promote, develop and diffuse historical genealogical knowledge about the Levasseur families with Internet, an electronic Newsletter published three times per year also the publication of genealogical dictionaries.

- ★ To maintain and update, on an ongoing basis, the genealogical data base available to members at all times on the Internet.
- ★ To make available to members a family photo album and the Newsletters that the Association has published since 1988.
- ★ To honor the memory of our forefathers and their descendants by way of monuments, plaques or symbolic gestures that commemorate historic events that are chronicle the Levasseur family.
- ★ To gather all documents related to the Levasseur family for the purpose of constructing archives that will constitute the heritage of our Association and that will provide a source of information for historians and genealogists.

Your Association is managed by a board of directors made up of official members who offer their services voluntarily and who come from various regions in North America. (Québec, Ontario, Maritimes and New England). Official members of the Association come from all parts of Canada but (40%) come from the United States. Our executive meets two to three times per year to discuss mainly future meetings, publications for our members and genealogy.

L'Association des Levasseur d'Amérique is also a member of the Fédération des familles-souches québécoises (www.ffsq.qc.ca).



The Coat of Arms has been granted and assigned by the Herald of Canada on October 15, 1997 to l'Association des Levasseur d'Amérique:

*Azure a chevron between an oak tree an base and a chief Argent charged with a maple leaf Gules between dexter a fleur-de-lis and sinister a mullet Azure ; And for a Motto:
DU MIEUX QUE JE PUIS*

Board of Directors 2011-2012

- President:** [Roger Levasseur](#) (Ottawa, ON) (613) 841-7690
Vice-President (Canada): [Gilles Carmel](#) (Saint-Charles-Borromée, QC) (450) 755-3856
Vice-President (USA): [Joseph Levasseur](#) (Manchester, NH, USA) (603) 623-2695
Secretary: [Marie-Noëlle Levasseur](#) (Edmunston, N.B.) (506) 735-8048
Treasurer: [Paul Levasseur](#) (Sherbrooke, QC) (819) 564-0957
Genealogist: [Joceline Levasseur](#) (Québec, Qc) (418) 658-3593
Webmaster and director: [Jean-Pierre Levasseur](#) (Québec, QC) (418) 843-1956
Director: [André Levasseur](#) (Trois-Rivières, QC) (819) 377-4306
Director: [Jean-Marie Levasseur](#) (Trois-Rivières, QC)

The Levasseur Newsletter

You can contact: André Levasseur (819) 377-4306 (levasseur.andre@cgocable.ca) or submit your article via our web site www.levasseur.org